

VS-R20D

COST EFFECTIVE DUMMY READER



DESIGNED BY

UNION
COMMUNITY

VS-R20D

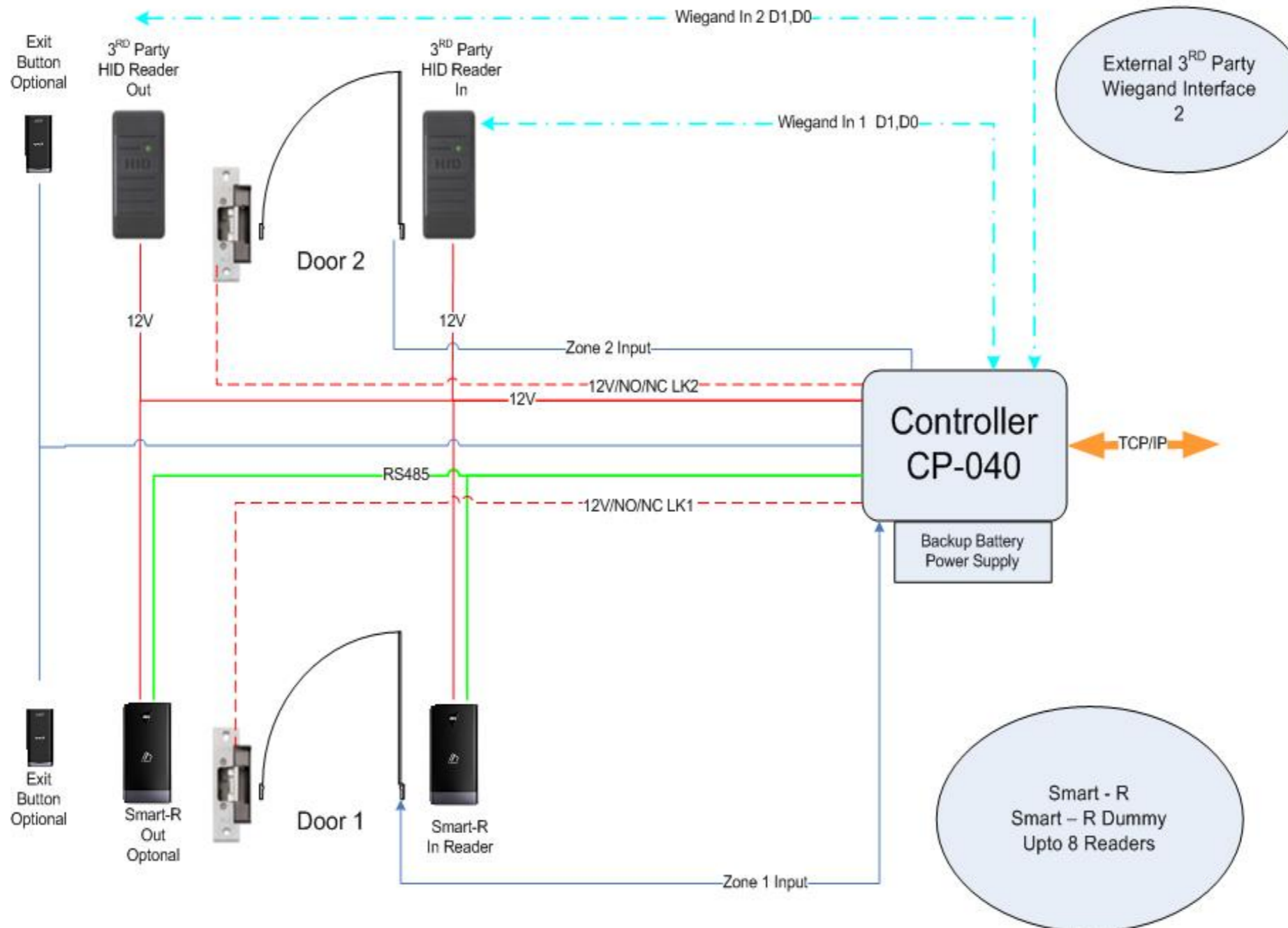


Standard Compliance: IP65

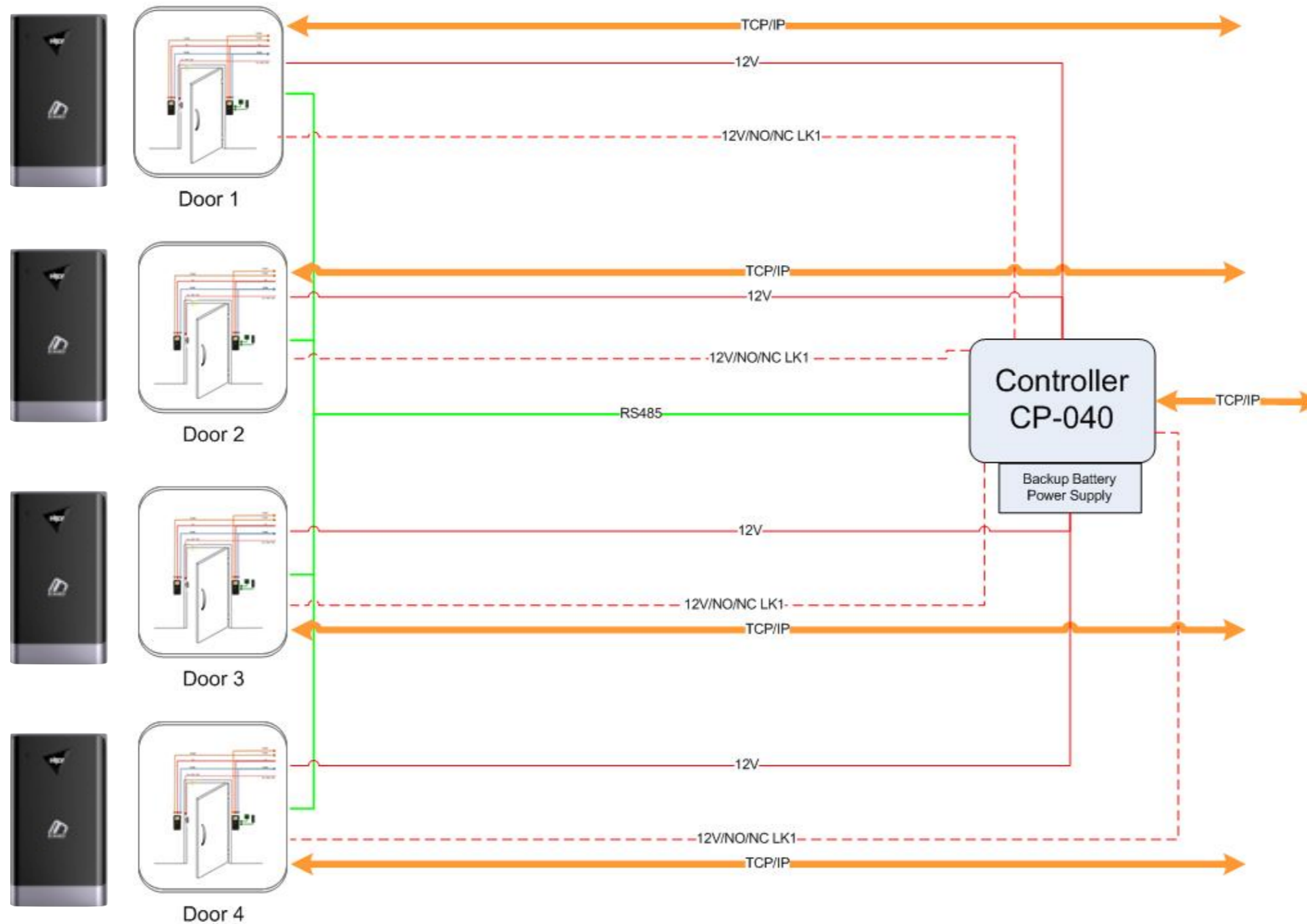
Communications: RS485, RS232 TTL, Wiegand In/Out

Card: RFID(125KHz, MiFare)

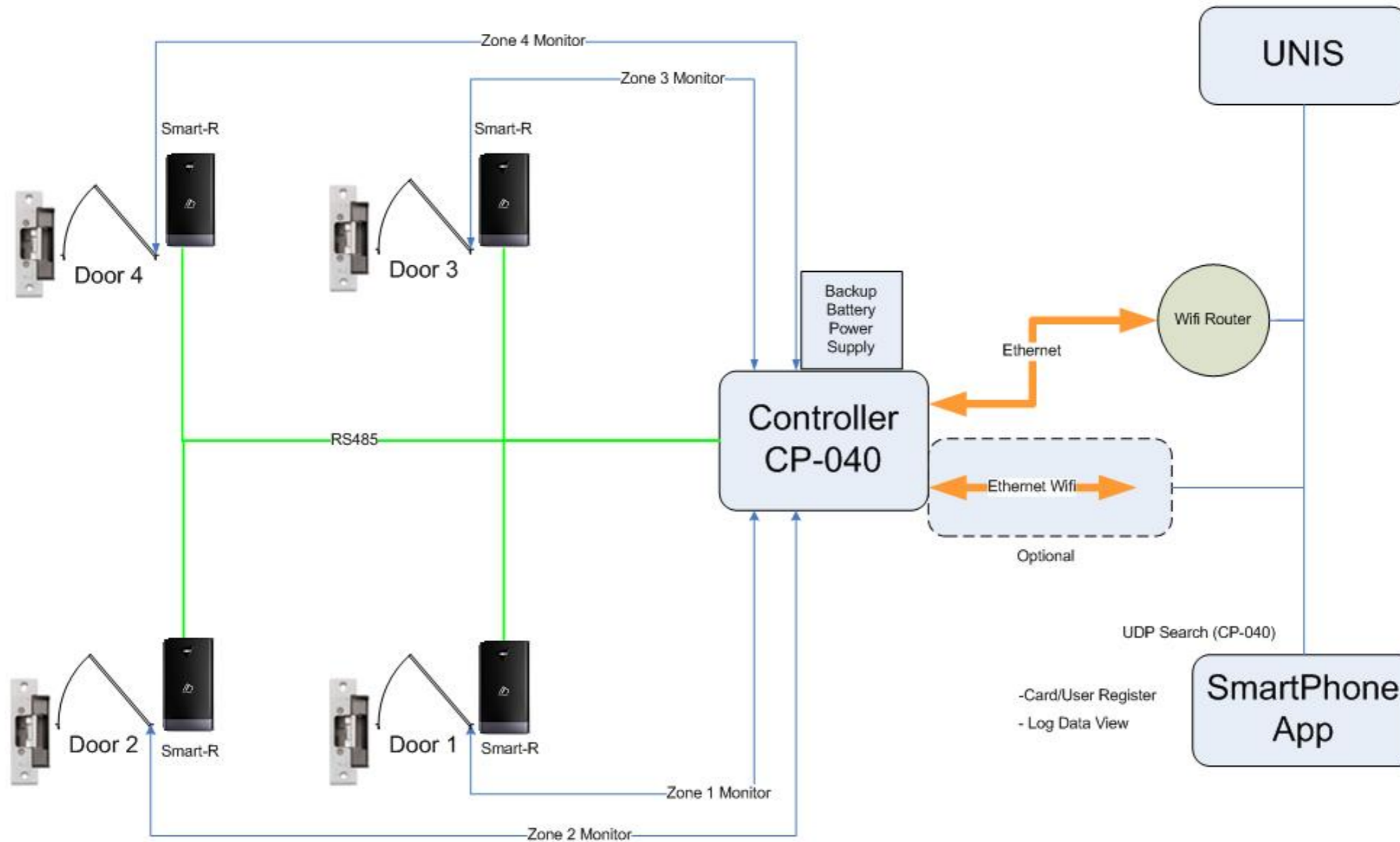
Two Door with RFID Readers



Four Door with Virdi Biometric Readers



Four Door AC-R I00 Dummy Reader





Overview

